

# StudioPack Certificazione Energetica CERTIFICAZIONE

La Soluzione Completa per il Certificatore Energetico



INFORMAZIONI

0825 68 01 73

COME ORDINARE

Numero Verde

800 91 20 15  
Lu-Ve 9-13 / 15-19

FAX: 0825 68 53 39

## Il PACK include:

- TermiPlan**  
Software Prestazioni Energetiche, AQE, APE (ex ACE), Protocollo ITACA
- Termocamera FLIR E5**  
La Termocamera Professionale estremamente semplice da utilizzare
- Batteria aggiuntiva**  
Batteria aggiuntiva Originale FLIR
- Caricabatterie da auto**  
Caricabatterie da auto originale FLIR
- Fodero porta Termocamera**  
Fodero porta termocamera Originale FLIR



Fatti furbo... Acquista con **NOLEGGIO OPERATIVO!**

Comode e piccole rate **SENZA INTERESSI**. Facile, veloce, per tutti.

Tutti i Prezzi si intendono Spedizione ed IVA escluse.  
Analist Group è Distributore Ufficiale FLIR.

**Part number:**

**63905-0501**

**Copyright**

© 2013, FLIR Systems, Inc.

All rights reserved worldwide. Names and marks appearing herein are either registered trademarks or trademarks of FLIR Systems and/or its subsidiaries. All other trademarks, trade names or company names referenced herein are used for identification only and are the property of their respective owners.

October 17, 2013, 06:03 AM

**Corporate Headquarters**

FLIR Systems, Inc.  
27700 SW Parkway Ave.  
Wilsonville, OR 97070  
USA  
Telephone: +1-503-498-3547

**Website**

<http://www.flir.com>

**Customer support**

<http://support.flir.com>

**Legal disclaimer**

Specifications subject to change without further notice. Camera models and accessories subject to regional market considerations. License procedures may apply.

Information and equipment described herein may require US Government authorization for export purposes. Diversion contrary to US law is prohibited.



**Imaging and optical data**

|                           |                            |
|---------------------------|----------------------------|
| IR resolution             | 120 × 90 pixels            |
| MSX resolution            | 320 × 240 pixels           |
| Thermal sensitivity/NETD  | <0.10°C (0.27°F) / <100 mK |
| Field of view (FOV)       | 45° × 34°                  |
| Minimum focus distance    | 0.5 m (1.6 ft.)            |
| Spatial resolution (IFOV) | 6.9 mrad                   |
| Image frequency           | 9 Hz                       |
| Focus                     | Focus free                 |

**Detector data**

|                |  |
|----------------|--|
| Detector type  | Focal plane array (FPA), uncooled microbolometer |
| Spectral range | 7.5–13 μm  |

**Image presentation**

|                  |                             |
|------------------|-----------------------------|
| Display          | 3.0 in. 320 x 240 color LCD |
| Image adjustment | Automatic adjust/lock image |

**Image presentation modes**

|                                      |  |
|--------------------------------------|--|
| Image modes                          | IR image, visual image, MSX, thumbnail gallery |
| Multi Spectral Dynamic Imaging (MSX) | IR image with enhanced detail presentation     |

**Measurement**

|                          |   |
|--------------------------|---|
| Object temperature range | -20°C to +250°C (-4°F to +482°F)  |
| Accuracy                 | ±2°C (±3.6°F) or ±2% of reading, for ambient temperature 10°C to 35°C (+50°F to 95°F) and object temperature above +0°C (+32°F) |

**Measurement analysis**

|   |  |
|---|--|
| Spotmeter                                 | Center spot  |
| Area                                      | Box with max./min.                                 |
| Emissivity correction                     | Variable from 0.1 to 1.0                           |
| Emissivity table                          | Emissivity table of predefined materials           |
| Reflected apparent temperature correction | Automatic, based on input of reflected temperature |

**Set-up**

|                 |  |
|-----------------|--|
| Color palettes  | Black and white, iron and rainbow                          |
| Set-up commands | Local adaptation of units, language, date and time formats |



**Analist Group Distributore Ufficiale FLIR**

via Aldo Pini, 10 - 83100 Avellino (Av) ITALY  
Tel. 0825.680173 - Fax 0825.68339  
[info@analistgroup.com](mailto:info@analistgroup.com) - [www.analistgroup.com](http://www.analistgroup.com)

P/N: 63905-0501

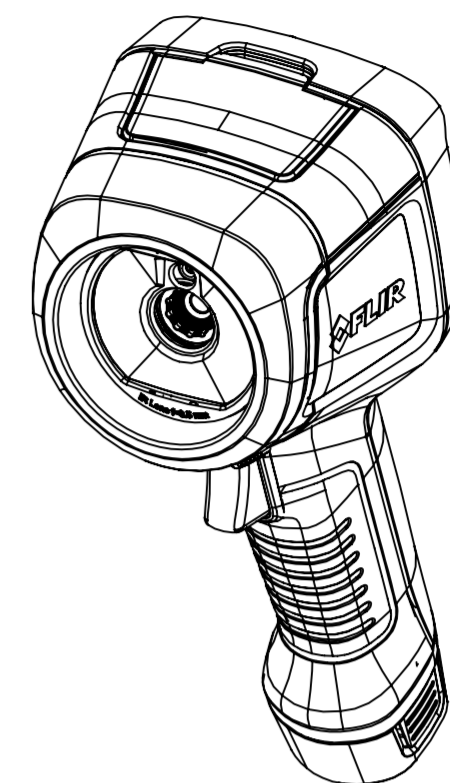
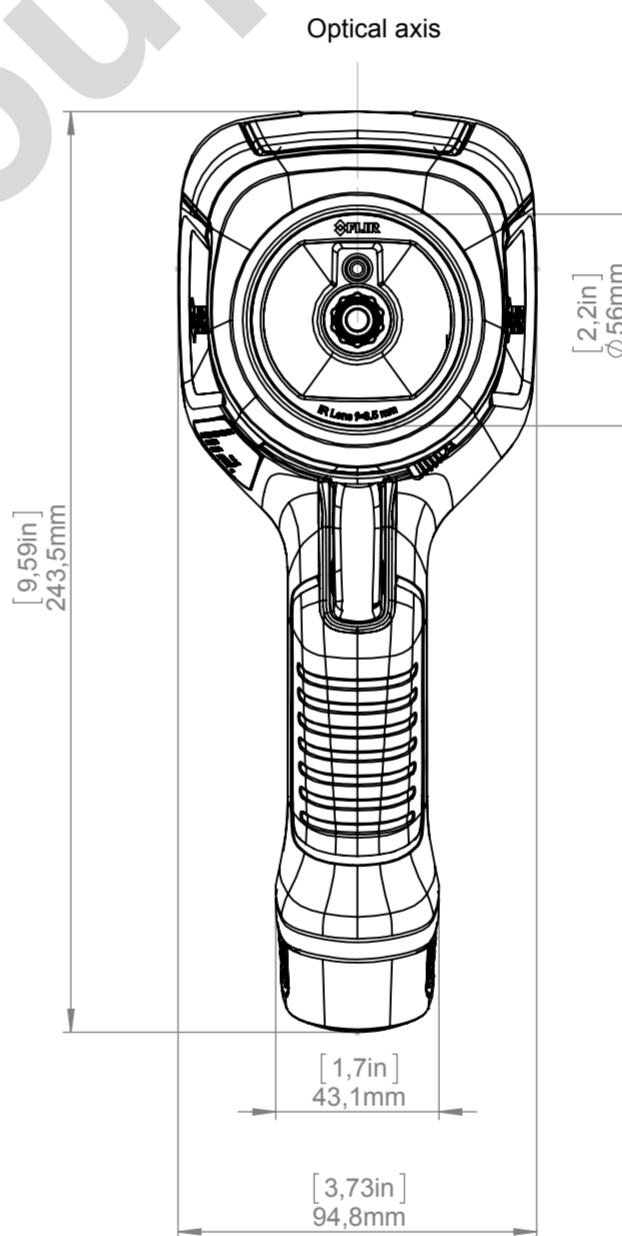
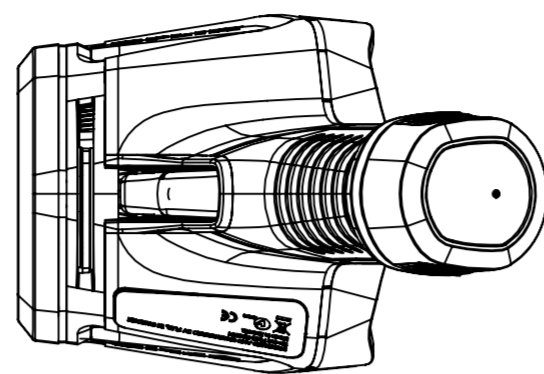
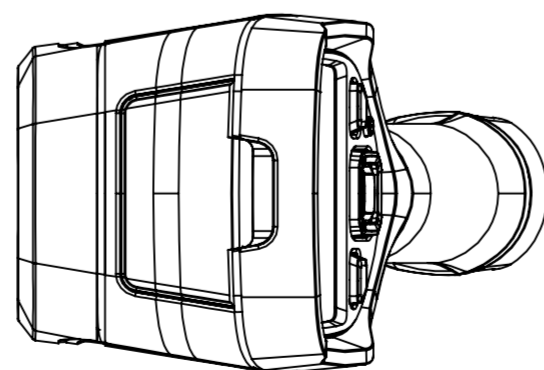
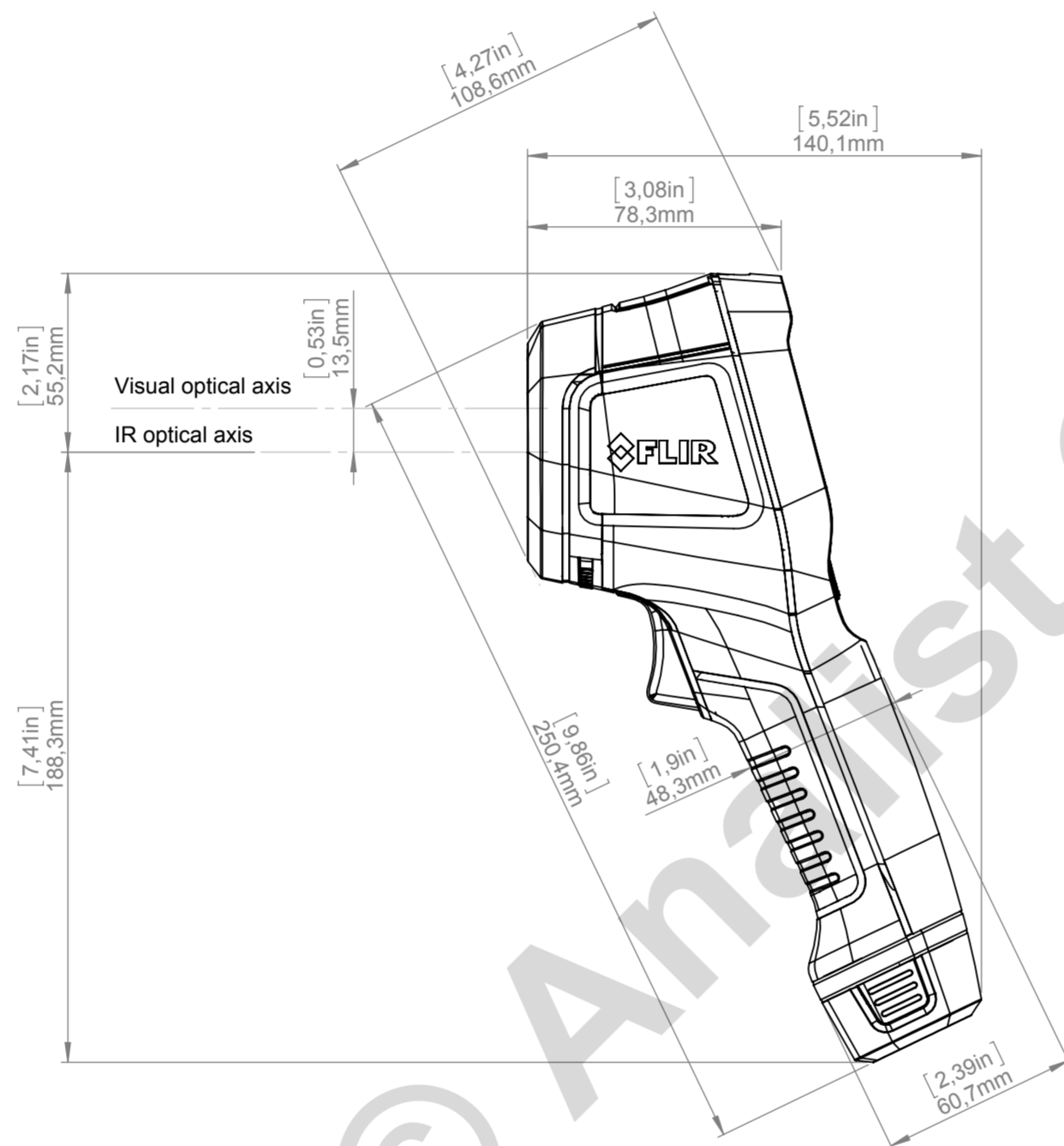
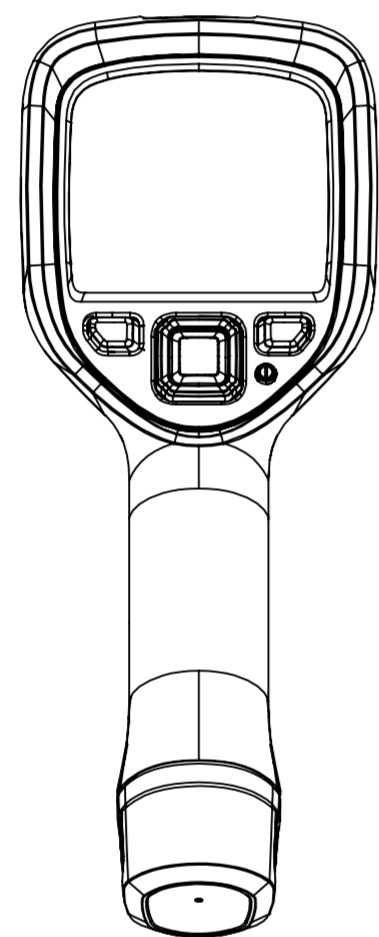
© 2013, FLIR Systems, Inc.  
All rights reserved worldwide.

| <b>Storage of images</b>             |   |
|--------------------------------------|---|
| Image storage capacity               | Internal memory store at least 500 sets of images   |
| Image storage mode                   | Simultaneous storage of images in IR, visual and MSX  |
| File formats                         | Standard JPEG, 14-bit measurement data included   |
| <b>Data communication interfaces</b> |   |
| Interfaces                           | USB Micro: Data transfer to and from PC and Mac device  |
| <b>Power system</b>                  |   |
| Battery type                         | Rechargeable Li Ion battery   |
| Battery voltage                      | 3.7 V   |
| Battery operating time               | Approx. 4 hours at +25°C (+77°F) ambient temperature and typical use  |
| Charging system                      | Battery is charged inside the camera or in specific charger.  |
| Charging time                        | 2.5 hours to 90% capacity in camera. 2 hours in charger.  |
| Power management                     | Automatic shut-down   |
| AC operation                         | AC adapter, 90–260 VAC input, 5 VDC output to camera  |
| <b>Environmental data</b>            |   |
| Operating temperature range          | –15°C to +50°C (+5°F to +122°F)   |
| Storage temperature range            | –40°C to +70°C (–40°F to +158°F)  |
| Humidity (operating and storage)     | IEC 60068-2-30/24 h 95% relative humidity   |
| EMC                                  | <ul style="list-style-type: none"> <li>• WEEE 2012/19/EC</li> <li>• RoHs 2011/65/EC</li> <li>• C-Tick</li> <li>• EN 61000-6-3</li> <li>• EN 61000-6-2</li> <li>• FCC 47 CFR Part 15 Class B</li> </ul>  |
| Encapsulation                        | IP 54 (IEC 60529)   |
| Bump                                 | 25 g (IEC 60068-2-29)   |
| Vibration                            | 2 g (IEC 60068-2-6)   |
| Drop                                 | 2 m (6.6 ft.)   |
| <b>Physical data</b>                 |   |
| Camera weight, incl. battery         | 0.575 kg (1.27 lb.)   |
| Camera size (L x W x H)              | 244 x 95 x 140 mm (9.6 x 3.7 x 5.5 in.)   |
| Color                                | Black and gray  |
| <b>Certifications</b>                |   |
| Certification                        | UL, CSA, CE, PSE and CCC  |
| <b>Shipping information</b>          |   |
| Packaging, type                      | Hard case   |
|                                      | <ul style="list-style-type: none"> <li>• Infrared camera</li> <li>• Hard transport case</li> <li>• Battery (inside camera)</li> <li>• USB cable</li> <li>• Power supply/charger with EU, UK, US and Australian plugs</li> <li>• User documentation CD-ROM</li> <li>• Printed documentation</li> <li>• FLIR Tools download card</li> </ul> |
| Packaging, weight                    | 2.7 kg (5.95 lb.)   |
| Packaging, size                      | 303 x 206 x 128 mm (11.9 x 8.1 x 5.0 in.)   |
| EAN-13                               | 4743254001114   |
| UPC-12                               | 845188005146  |
| Country of origin                    | Estonia   |

**TermoCam**  
Analist Group Distributore Ufficiale FLIR

via Aldo Pini, 10 - 83100 Avellino (Av) ITALY  
Tel. 0825.680173 - Fax 0825.68339  
info@analistgroup.com - www.analistgroup.com

# Camera with built-in IR lens f=6,5 mm (45°)

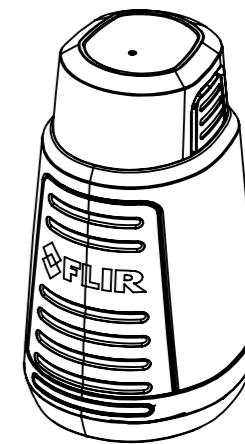
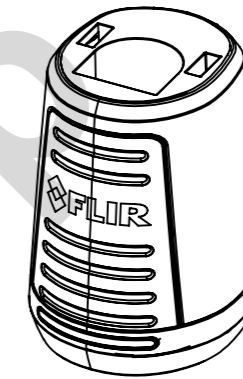
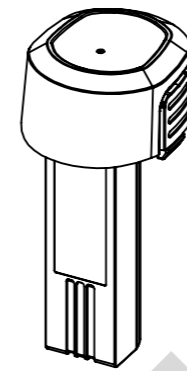
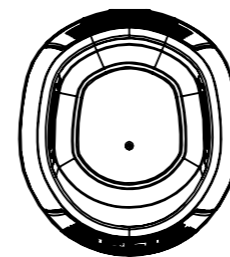
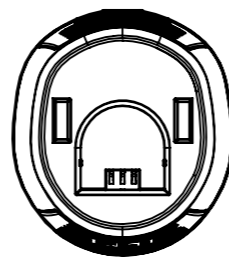
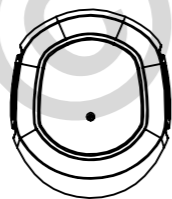
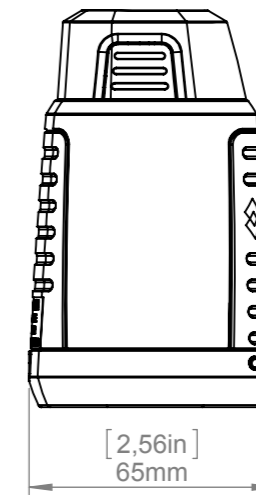
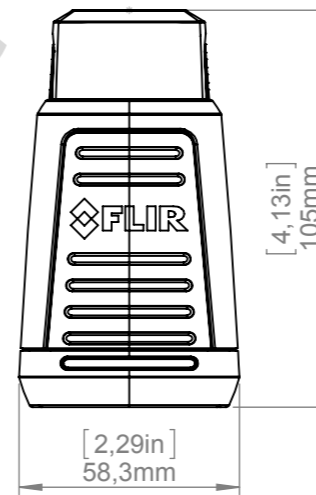
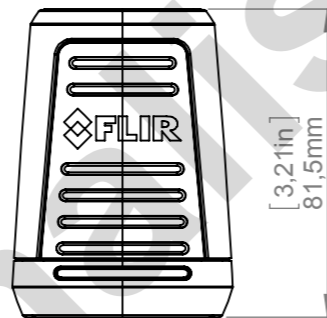
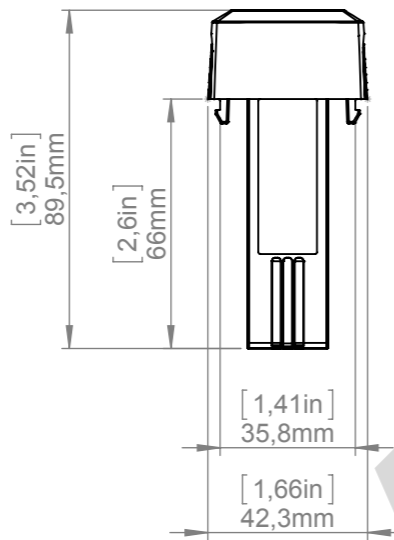
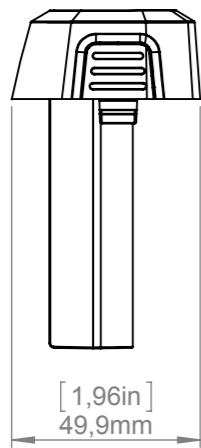
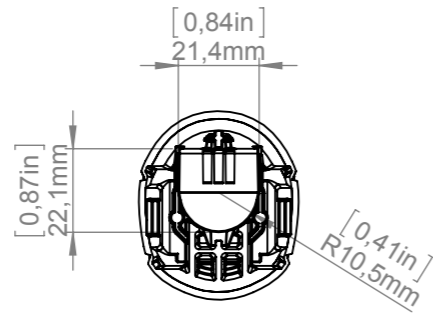


© 2012, FLIR Systems, Inc. All rights reserved worldwide. No part of this drawing may be reproduced, stored in a retrieval system, or transmitted in any form, or by any means, electronic, mechanical, photocopying, recording, or otherwise, without the prior written permission of FLIR Systems, Inc. Specifications are subject to change without notice. Dimensions are based on nominal values. Products may be subject to regional market considerations. License procedures may apply. Product may be subject to US Export Regulations. Please refer to exportquestions@flir.com with any questions. Diversion contrary to US law is prohibited.

**TermoCam**  
 Analist Group Distributore Ufficiale FLIR  
 via Aldo Pini, 10 - 83100 Avellino (Av) ITALY  
 Tel. 0825.680173 - Fax 0825.68339  
 info@analistgroup.com - www.analistgroup.com

|                          |               |                              |  |
|--------------------------|---------------|------------------------------|--|
| Modified<br>2013-03-25   | Check<br>CAHA | Drawn by<br>R&D Thermography |  |
| Denomination             |               |                              |  |
| Basic dimensions FLIR Ex |               |                              | Size<br>A2<br>Scale<br>1:2<br>Drawing No.<br>T127831 |
|                          |               |                              | Sheet<br>1(2)<br>Size<br>A                           |

# Charger and Power pack



**TermoCam**  
 Analist Group Distributore Ufficiale FLIR  
 via Aldo Pini, 10 - 83100 Avellino (Av) ITALY  
 Tel. 0825.680173 - Fax 0825.68339  
 info@analistgroup.com - www.analistgroup.com

|   |               |                              |  |
|---|---------------|------------------------------|--|
| Modified<br>2013-03-25                          | Check<br>CAHA | Drawn by<br>R&D Thermography |  |
| Denomination<br><b>Basic dimensions FLIR Ex</b> |               |                              |  |
|   |               |                              | Sheet<br><b>2(2)</b><br>Size<br><b>A</b> |

© 2012 FLIR Systems, Inc. All rights reserved worldwide. No part of this drawing may be reproduced, stored in a retrieval system, or transmitted in any form, or by any means, electronic, mechanical, photocopying, recording, or otherwise without written permission from FLIR Systems, Inc. Specifications subject to change without further notice. Dimensional data is based on nominal values. Products may be subject to regional market considerations. License procedures may apply. Product may be subject to US Export Regulations. Please refer to exportquestions@flir.com with any questions. Diversion contrary to US law is prohibited.